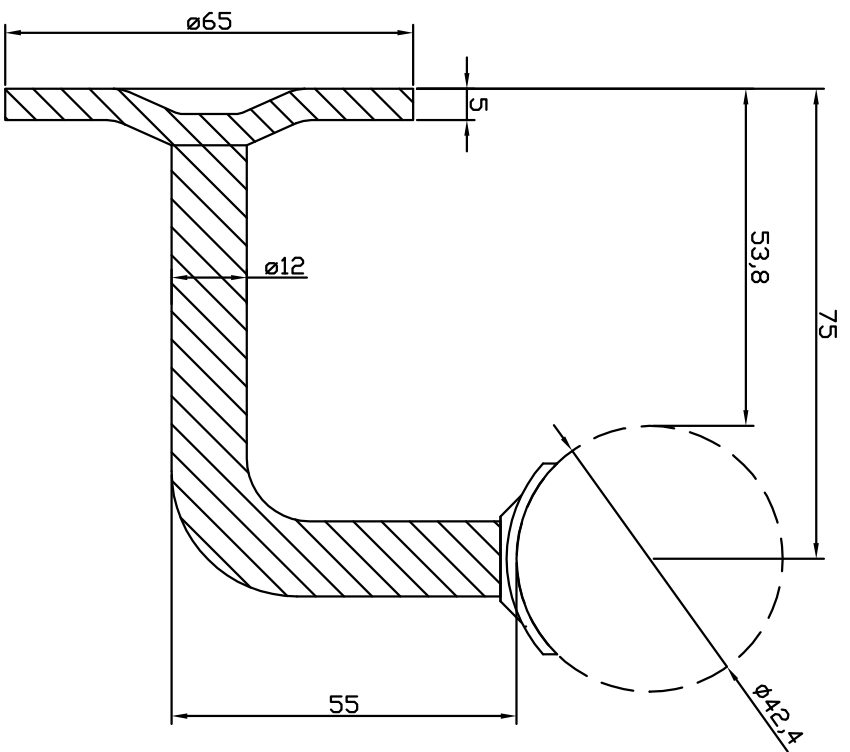


Art. No. YK-9452



Art. No. YK-9376

A	Change Content		Signature	Date	Model	Material		SUS3048316	Quantity	Weight	Drawing	Roblin	Date	2012-10-2
	Dimension Tolerance	Projection Direction	Angle Tolerance	± 1°	Surface Transaction Unit						Verifying		Remark	